

APPROVED	O.G. FIG.	
BY	CLASS	SUBCLASS
DRAFTSMAN		

1/1

10 ↘

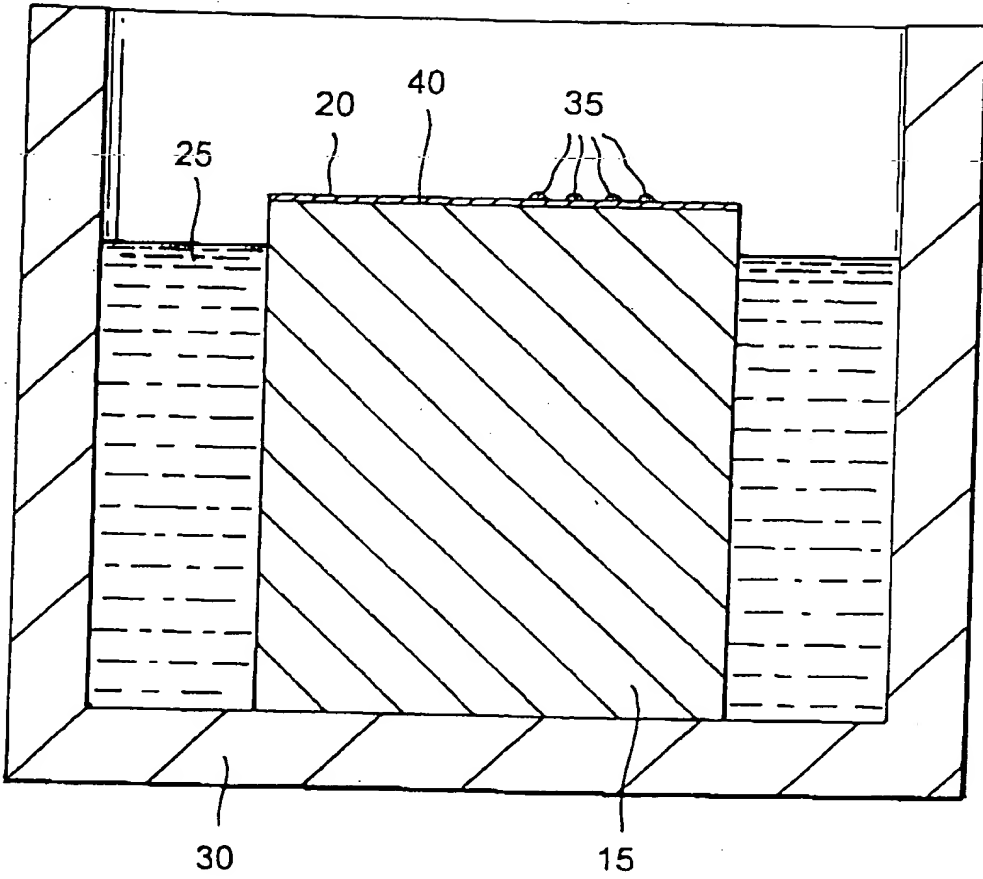


PHOTO 5025260

FIG. 1